

## TECHNICAL SHEET

# SHEETER 500 - 600



### Model:

- SHEETER 500 B
- SHEETER 500 T
- SHEETER 500 TL
- SHEETER 600 TM
- SHEETER 600 TMM
- SHEETER 600 TL

### General technical characteristics:

- Rolling cylinders ground and polished in hand chrome  $\Phi$  73;
- Belts with different speeds;
- Universal and reversible scrapers;
- Max cylinders opening 48 mm;
- Rising and dismountable arms;
- Bored shoulders in anticorodal steel;
- Single-phase inverter;
- Triangle size for cutting device: 60x80 / 80x100 / 140x130 / 140x180 [mm];
- IP55 both for motor and electrical devices;
- Voltage 220V – 50Hz – single phase;
- Low consumption of energy and maintenance;
- Noise < 70 dB(A);
- CE, ETL and EAC certification.



### Optional accessories:

- Special tension;
- Rollers for round or square cuts.

### Rules and conformities:

- Machinery Directive 2006/42/CE;
- Rule (CE) N. 1935/2004;

### Warranty:

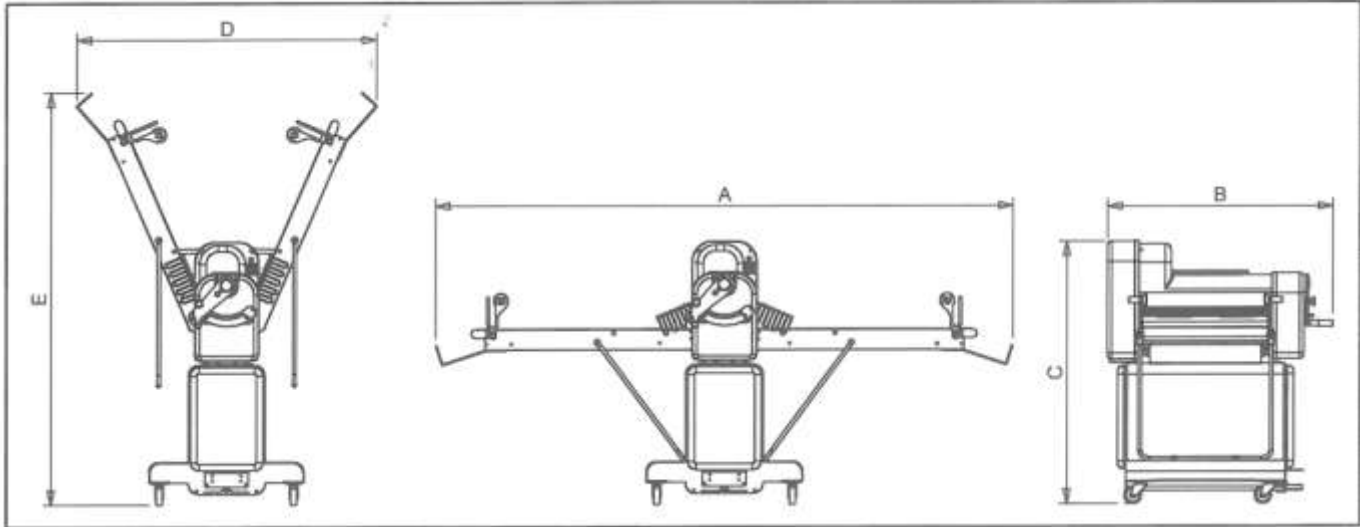
- One year,  $\otimes$

### $\otimes$ Warranty conditions

Sigma machines are covered by warranty against material or manufacturing defects for 12 months since the invoice date and subject to the conditions here under mentioned:

The warranty consists only in the ex works replacement of the faulty parts, except the electrical parts and motors. The purchaser will be reimbursed neither for the damage coming from the production stop nor for the labor coming from the installation of the new parts. Warranty is not valid in the following cases: the purchaser does not respect the payment terms; the damages are caused by overcharge, unskilfulness, abnormal use, poor maintenance, not authorized modifications, when irregular or lack of of electric majeure. Manufacturing defects should be communicated to Sigma company to the e-mail address: [sigmasrl.info@legalmail.it](mailto:sigmasrl.info@legalmail.it) as soon as they appear.

## Characteristics



MODEL	A [mm]	B [mm]	C [mm]	D [mm]	E [mm]	Carpet dimension [mm]	Power [kW]
SFG 500 B	1845 (73")	985 (39")	615 (24")	1070 (42")	905 (36")	500x700 (19"x27")	0.55
SFG 500 T	1845 (73")	985 (39")	1270 (50")	1070 (42")	1565 (62")	500x700 (19"x27")	0.55
SFG 500 TM	2795 (110")	985 (39")	1270 (50")	1450 (57")	2000 (79")	500x1180 (19"x46")	0.55
SFG 600 TM	2795 (110")	1085 (43")	1270 (50")	1450 (57")	2000 (79")	595x1180 (23"x46")	0.75
SFG 600 TMM	3640 (143")	1085 (43")	1270 (50")	-	-	595x1600 (23"x63")	0.75
SFG 600 TL	3215 (127")	1085 (43")	1270 (50")	-	-	595x1180 + 595x1600	0.75

**Voltage:**  
SPZ 40-50: 230V/1/50Hz  
(*Optional:* special voltages)

**Transmission:** chains and belts.

**Protections:** emergency button.

**Control panel:** START & STOP is given by pressing the pedal (in the case of SFG 500 B you press the knob).

## Shipping information

MODEL	Net weight	Weight with pallet	Weight with cage
SFG 500 B	142kg (313lb)	152kg (355lb)	192kg (423lb)
SFG 500 T	170kg (374lb)	180kg (396lb)	220kg (485lb)
SFG 500 TM	185kg (407lb)	195kg (429lb)	235kg (518lb)
SFG 600 TM	232kg (511lb)	242kg (533lb)	282kg (621lb)
SFG 600 TMM	260kg (573lb)	180kg (396lb)	310kg (683lb)
SFG 600 TL	300kg (661lb)	195kg (429lb)	350kg (771lb)

## Informazioni sull'imballo

MODEL	Box on pallet		Cage/Crate	
	Dimensions [mm]	Volume [m <sup>3</sup> ]	Dimensions [mm]	Volume [m <sup>3</sup> ]
SFG 500 B	1370x840x870 (54"x33"x34")	1.00 (35ft <sup>3</sup> )	1320x900x910 (51"x35"x36")	1.1 (39ft <sup>3</sup> )
SFG 500 T	1370x840x1630 (54"x33"x64")	1.88 (66.4ft <sup>3</sup> )	1420x930x1560 (55"x36"x61")	2.1 (74 ft <sup>3</sup> )
SFG 500 TM	1370x840x1630 (54"x33"x64")	1.88 (66.4ft <sup>3</sup> )	1420x930x1560 (55"x36"x61")	2.1 (74 ft <sup>3</sup> )
SFG 600 TM	1370x840x1630 (54"x33"x64")	1.9 (66ft <sup>3</sup> )	1420x930x1560 (55"x36"x61")	2,1 (74ft <sup>3</sup> )
SFG 600 TMM	-	-	1420x930x1850 (55"x36"x73")	2.4 (86 ft <sup>3</sup> )
SFG 600 TL	-	-	1420x930x1850 (55"x36"x73")	2.4 (86 ft <sup>3</sup> )